



# LUMINO<sup>PRO</sup>

## Streetlight



The LUMINO Pro Street Light integrates cutting-edge technology and efficiency to deliver customised performance for a wide range of projects. Designed for illuminating area and streets, this luminaire offers adaptability and dependability. Key features include a choice between 3000K, 4000K or 5000K colour temperatures for desired ambiance, a robust die-cast aluminum build ensuring durability, an impressive efficiency of 150 lumens per watt, and a variety of optical options to meet diverse lighting requirements.



## Benefits

### Perfectly integrated into smart city control

- Smart city ready with 7-pin NEMA socket as standard
- 0-10V dimming as standard

### Fulfill various application

- Power range from 60W to 240W
- CCT available from 3000K to 5000K
- Up to 150 lm/W efficacy
- Flicker free

### High reliability

- Independent 10KV surge protection
- Robust aluminum body
- IP66 and IK08 rated

## Applications

- General area lighting and street illumination
- City road and landscape lighting
- Pathways and parking lot
- Commercial district road lighting
- Industrial areas road lighting

## Technical Data

### Optical Specifications

Power		60W	90W	120W	150W	180W	200W	240W
Luminous Fluxw	@4000K	9000	13500	18000	22500	27000	30000	36000
Efficacy	@4000K	150 lm/W						
CCT		4000K						
CRI		>80						
SDCM		< 5						
Beam Angle		Type II, Type III , Type IV						

### Electrical and Mechanical Specifications

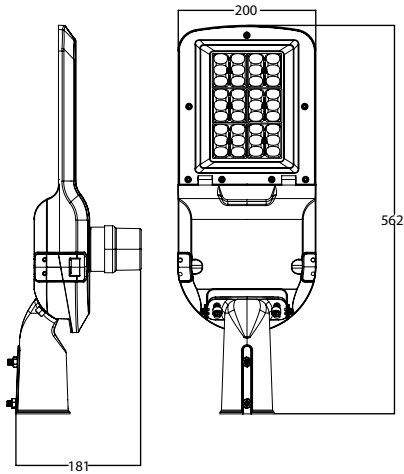
Input Voltage	220-240V AC 50/60 Hz							
Power Consumption	60W	90W	120W	150W	180W	200W	240W	
Power Factor	> 0.9							
Total Hamonic Distortion	< 20%							
Surge Protection	Independent surge proetcton, 10KV line-to-Neural, Line-to-Ground 10KV							
Dimension (mm)	562*200*108	607*240*108	607*240*108	680*260*108	680*260*108	766*300*108	766*300*108	
Weight (kg)	3.12	4.28	4.28	4.56	4.56	6.36	6.36	
Optical	PC (Polycarbonate) +Tempering glass							
Housing	Die-Cast Aluminum							
Colour	Silver-RAL9006							

### System Specifications

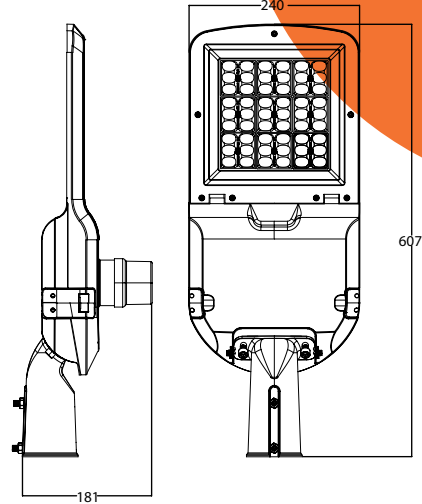
Power	AC Power, 220-240V 50-60Hz
Control	0-10v Dimmable, DALI
Mounting	ø33.4~ø60mm mounting size
Operating Temperature	-25°C-40°C
Environment	IP66/IK08
Lumen Maintaince	54000 hours (Ta≤35°C L70/B50)
Warranty	7 years
Safety Approval	AS/NZS 60598.1, AS NZS 60598.2.3, IEC 62031 AS/NZS 61347.1, AS/NZS 61347.2.13 IEC TR 62778, IEC 62471
Certification	SAA, RCM

● **Dimensions (mm)**

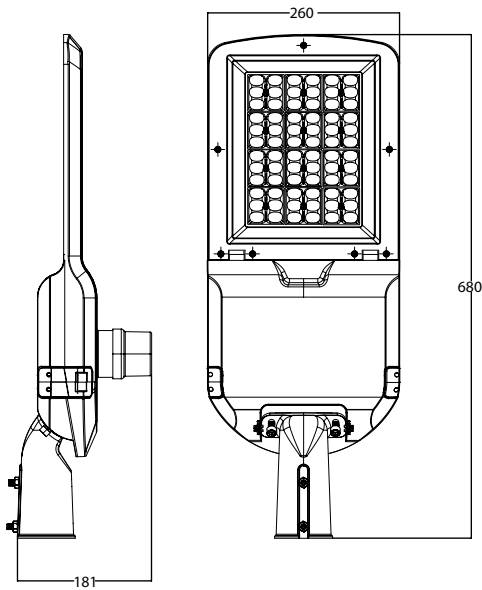
**60W**



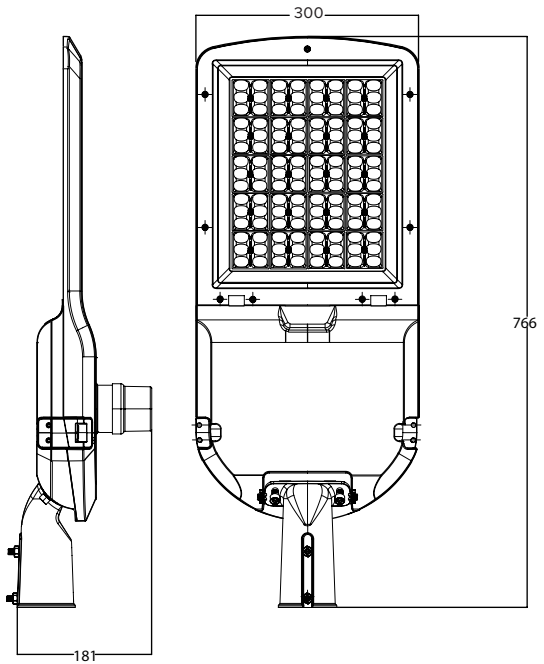
**90W/120W**



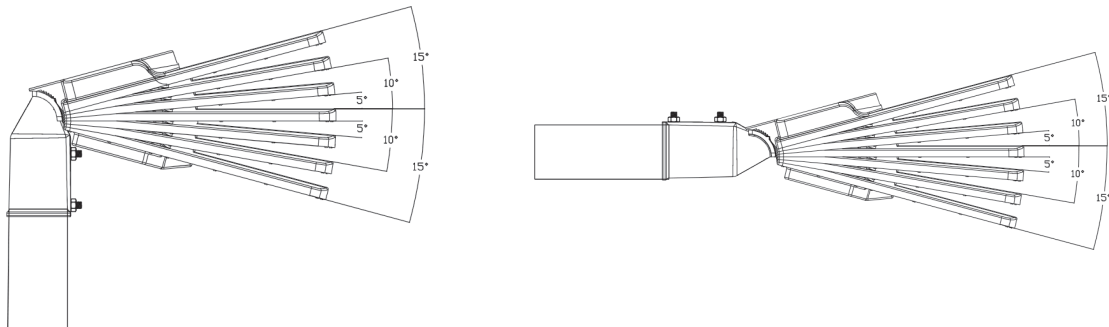
**150W/180W**



**200W/240W**



● **Adjustable Angle**



The mounting shaft is installed at 90°, and the Angle can be adjusted at every 5° interval, and the maximum up and down can be adjusted at 15°

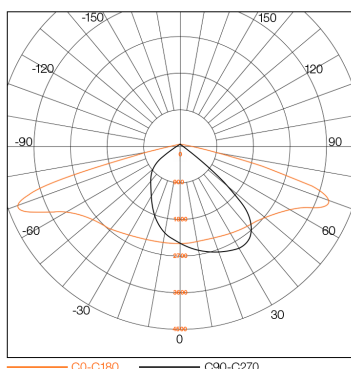
# Photometrics

Light Distribution Curve

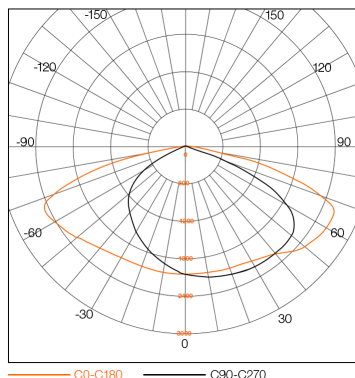
LUMINO<sup>PRO</sup>  
Streetlight

DATASHEET

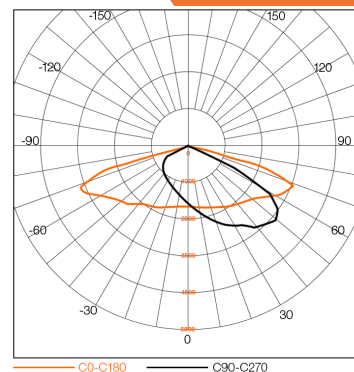
Type II



Type III



Type IV



Due to the manufacturing processes of LED, the polar candela distribution and distance luminaries only reflect statistical figures and do not necessarily correspond to the actual parameters of individual product that may differ from the typical values.

## Ordering Codes

### Fixture

Product Reference	Product Code	SAP Code	EAN-13	Power (W)	Lumens	CCT	Type	Fixture Dimension (mm)
LUMINO ST PRO 60W 840 IP66 IK08 10kV NEMA T3 SILVER 60mm SPIGOT	LMSTPRO60W840T3	4001270	9353931010015	60	9000	4000K	3	562*200*181
LUMINO ST PRO 60W 840 IP66 IK08 10kV NEMA T4 SILVER 60mm SPIGOT	LMSTPRO60W840T4	4001251	9353931010022	60	9000		4	562*200*181
LUMINO ST PRO 90W 840 IP66 IK08 10kV NEMA T3 SILVER 60mm SPIGOT	LMSTPRO90W840T3	4001271	9353931010039	90	13500		3	607*240*181
LUMINO ST PRO 90W 840 IP66 IK08 10kV NEMA T4 SILVER 60mm SPIGOT	LMSTPRO90W840T4	4001252	9353931010046	90	13500		4	607*240*181
LUMINO ST PRO 120W 840 IP66 IK08 10kV NEMA T3 SILVER 60mm SPIGOT	LMSTPRO120W840T3	4001272	9353931010053	120	18000		3	607*240*181
LUMINO ST PRO 120W 840 IP66 IK08 10kV NEMA T4 SILVER 60mm SPIGOT	LMSTPRO120W840T4	4001253	9353931010060	120	18000		4	607*240*181
LUMINO ST PRO 150W 840 IP66 IK08 10kV NEMA T3 SILVER 60mm SPIGOT	LMSTPRO150W840T3	4001273	9353931010077	150	22500		3	680*260*181
LUMINO ST PRO 150W 840 IP66 IK08 10kV NEMA T4 SILVER 60mm SPIGOT	LMSTPRO150W840T4	4001254	9353931010084	150	22500		4	680*260*181
LUMINO ST PRO 180W 840 IP66 IK08 10kV NEMA T3 SILVER 60mm SPIGOT	LMSTPRO180W840T3	4001274	9353931010091	180	27000		3	680*260*181
LUMINO ST PRO 180W 840 IP66 IK08 10kV NEMA T4 SILVER 60mm SPIGOT	LMSTPRO180W840T4	4001255	9353931010107	180	27000		4	680*260*181
LUMINO ST PRO 200W 840 IP66 IK08 10kV NEMA T3 SILVER 60mm SPIGOT	LMSTPRO200W840T3	4001275	9353931010114	200	30000		3	766*300*181
LUMINO ST PRO 200W 840 IP66 IK08 10kV NEMA T4 SILVER 60mm SPIGOT	LMSTPRO200W840T4	4001256	9353931010121	200	30000		4	766*300*181
LUMINO ST PRO 240W 840 IP66 IK08 10kV NEMA T3 SILVER 60mm SPIGOT	LMSTPRO240W840T3	4001276	9353931010138	240	36000		3	766*300*181
LUMINO ST PRO 240W 840 IP66 IK08 10kV NEMA T4 SILVER 60mm SPIGOT	LMSTPRO240W840T4	4001257	9353931010145	240	36000		4	766*300*181

### Accessory

Product Reference	Product Code	SAP Code	EAN-13
HS ST IP65 PE CELL FOR NEMA SOCKET	HSNEMAPE	4001266	9353931010237
HS ST HORIZONTAL WALL MOUNTING BRACKET BLACK - SPIGOT SIZE 40-60mm	HSWMBH4060	4001267	9353931010244
HS ST VERTICAL WALL MOUNTING BRACKET BLACK - SPIGOT SIZE 40-60mm	HSWMBV4060	4001268	9353931010251
HS ST SPIGOT ADAPTOR BLACK - SIZE 60 -76mm	HSSA6076	4001269	9353931010268